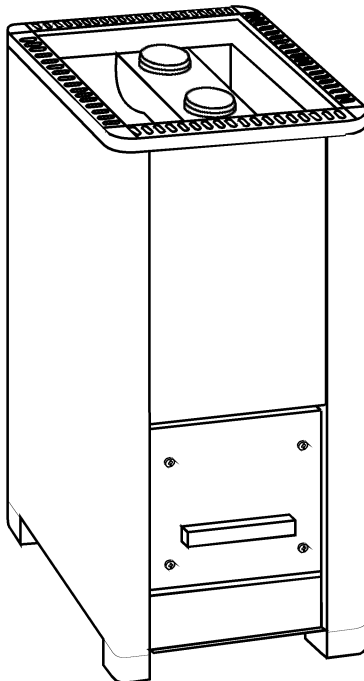


WOODBURNING SAUNA STOVE
MODELS:

16
18ES
20S
22DX
22ESDX
28ESDX



INSTRUCTIONS FOR INSTALLATION, USE AND MAINTENANCE.

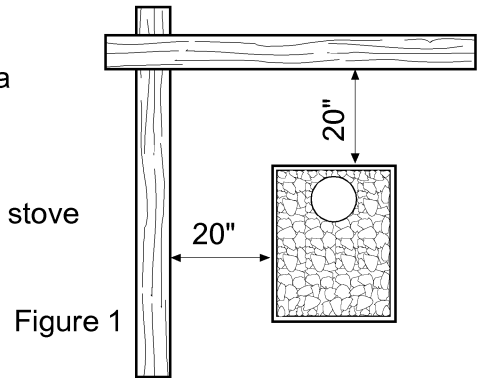
SAFETY DISTANCES

Side walls:

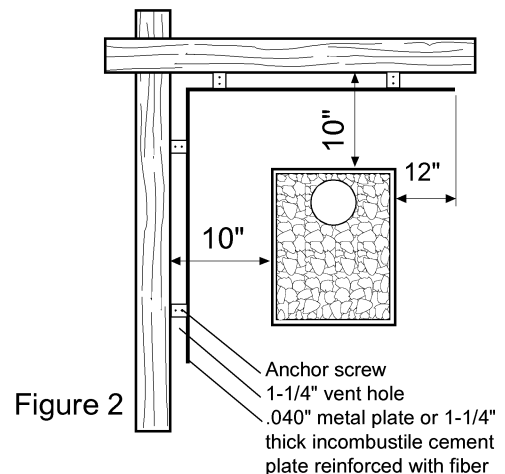
Woodburning sauna stoves are regarded as fireplaces having scorching surfaces. In our stoves, the surface temperature will not exceed 350 °C, and the following safety distances should be observed when using them:

Inflammable structural elements such as wooden walls, sauna seats etc.

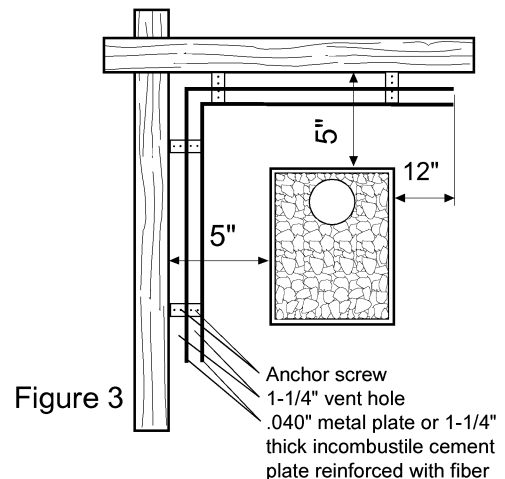
1. Minimum distance between the vertical surfaces of the stove and any unprotected wooden structural element: 20". (Figure 1)



2. However, the safety distance mentioned in item 1 can be decreased to minimum 10" provided a single light protection is used. This kind of single light protection can be constructed either by using a minimum 1/4" thick incombustible cement plate reinforced with fiber, or by fastening an at least 1mm thick metal plate densely enough to the wall. A minimum 1-1/4" vent hole must be left between the protective plate and the wooden surface to be protected. This can be done for example by using pipe bushings as intermediate supports. (Figure 2)



3. The safety distance mentioned on item 1 can be further decreased to minimum 5" provided a double protection is used. The double protection can be constructed using two plates described in item 2, in addition to which an at least 1-1/4" vent hole must be left between the wall and the plates. (Figure 3)



4. If the wall has been bedded in, a 2" vent hole between the wall and the vertical surfaces of the stove is enough. (Figure 4)

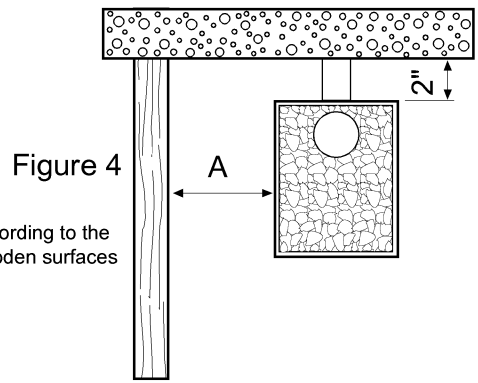


Figure 4
Dimension A is determined according to the protection method used for wooden surfaces

- 20" with no protection
- 10" with single light protection
- 5" with double light protection

5. A 2-1/4" embedding with open sides at a minimum 1-1/4" distance away from the protected surface is equivalent for a single light protection. Likewise, a 4-1/4" embedding not touching the protected surface would be equivalent for a double light protection. (Figure 5)

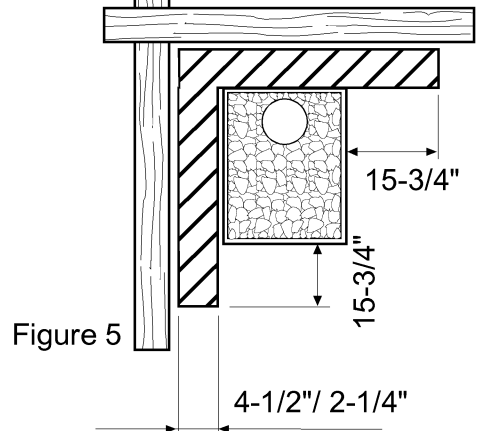


Figure 5

Protecting the ceiling:

Provided the distance between the stove top and the ceiling is minimum 47-3/4", no special protection is needed for the ceiling. If the distance is less than 47-3/4", you can choose one of the protection methods mentioned in items 1-3. The ceiling protection must extend above the vertical surfaces of the stove. (Figure 6)

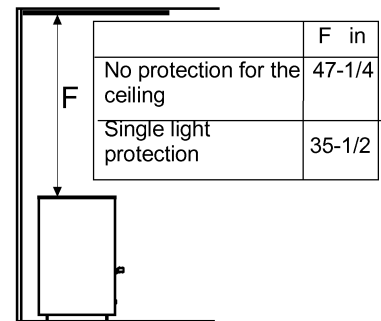


Figure 6

FIREPLACE BASE

The fireplace must be installed on a rigid base. This base must be strong enough to bear the weight of the fireplace and to prevent any excessive rise of temperature of the structural elements connected to it. When installing the stove on a wooden floor, it is advisable to use a minimum 2" thick concrete slab or a minimum 1/4" thick fiber-reinforced cement plate covered by a metal plate.

Protecting the floor in front of the stove

The safety distances listed in items 1-5 cannot be applied to a combustible floor area in front of the stove. This area should be protected using a metal plate connected to the floor and closely fitting the stove. The floor protection in front of the stove must extend at least to 4" beyond both side of the oven mouth and to 15-3/4" in front of it

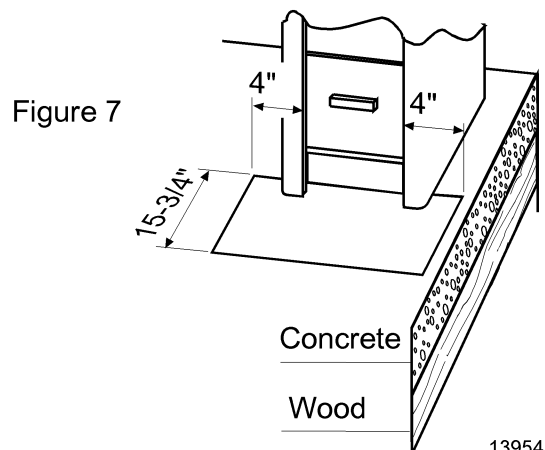


Figure 7

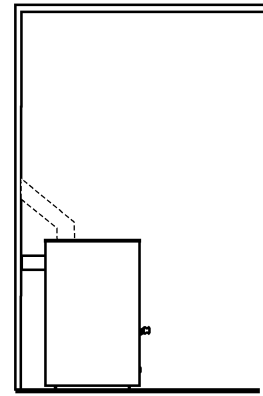
INSTALLING THE STOVE

As in all our stoves, there is an escape hole for the smoke flue on top of the stove as well as behind it. You can close the unnecessary hole using the cap supplied. Included with the delivery, you will also receive a 8" connecting pipe for connecting the stove to the smoke flue through the back hole. When connecting the stove to the smoke flue through the hole on top of the stove, we recommend you use our connecting pipes which are available as accessories. When doing this, do not forget to close the smoke hole behind the stove using the cover supplied. (Figure 8)

Do not install the connecting pipe too deep into the smoke flue, because this would block the draft. The gap between the smoke flue and the connecting pipe must be filled using e.g. mineral wool.

When installing the stove, make sure the stove stands firmly on its base and the proper safety distances mentioned in these instructions have been observed

Figure 8



PREHEATING

In the factory, the interior parts of the stove have been coated with protective agents to prevent corrosion during storage. Before starting to use the stove and placing rocks on the stove, you should preheat the stove in order to remove these protective agents. It is enough to burn 1-2 ovenfulls of wood for preheating. During preheating, sufficient ventilation should be arranged in the washroom to dissipate the smoke gases produced by the protective agents.

STOVE ROCKS

Always use rocks supplied by the manufacturer in your stove

Before placing the rocks onto the stove, carefully wash them with clean water. Do not use any detergents.

Place the rocks on top of each other so that they are level with the edge of the rock well. Be careful not to place the rocks too close to each other to allow air circulation between the rocks. Place the largest rocks at the bottom of the rock well.

HEATING UP THE STOVE

Only wood can be used for heating up the stove. Before heating, the stove grate should always be cleaned and the ash pan emptied

Avoid heating the stove so that the passage in the rock well remains red heated for a long time because this would overload the firebox and shorten the lifetime of the stove.

After your saunabath, you can leave a small fire in the stove to dry up the washroom constructions.

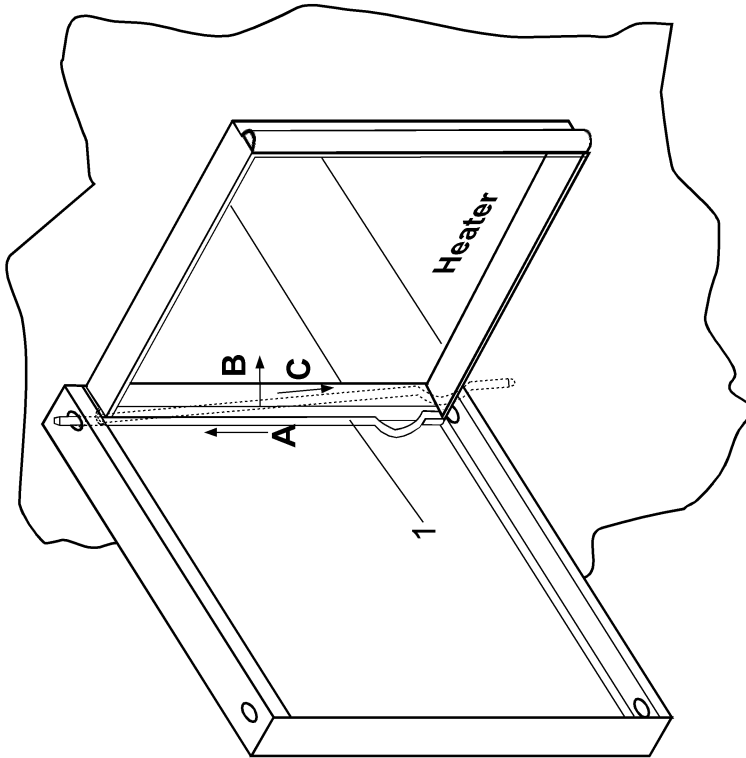
STOVE MAINTENANCE

The stove must be cleaned through the soot hatches at least once a year in order to maintain optimal draft. At the same time, it is also useful to check the condition of the stove rocks and to replace the decayed ones by new ones.

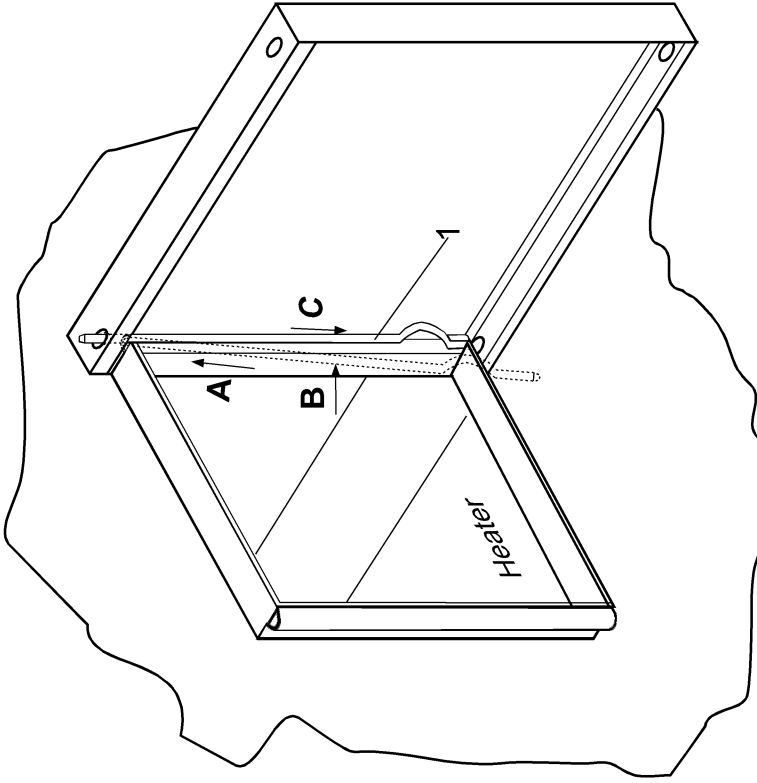
The woodburning stoves are manufactured and sold by:

Saunatec

Prefer right or left handed-Instructions how to make the change



1. Remove the ash box door.
 - A. Hold on to the door and lift the hinge pin upwards to enable the lower part to come free from the holes of the door.
 - B. Pull outwards.
 - C. Pull down.



- A. Hold on to the door. Push the hinge pin from the inside through the console and through the upper hole of the door.
- B. Push the hinge pin inwards.
- C. Push the hinge pin through the console and the lower hole of the door